
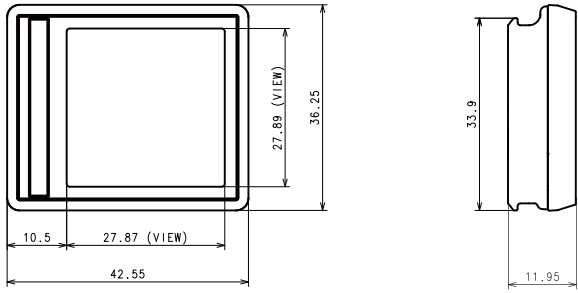


# Graphic Label 1.6” (BW, BWR, BWY)

PRODUCT ▶ ESL ▶ GRAPHIC LABEL 1.6”

EXEMPLARY PICTURE	MECHANICAL DRAWINGS
	 <p>The mechanical drawings show the label's dimensions in millimeters. The top view shows an overall width of 42.55 mm and an overall height of 36.25 mm. The active display area is 27.87 mm wide and 27.89 mm high. The side view shows a thickness of 11.95 mm and a total height of 33.9 mm.</p>


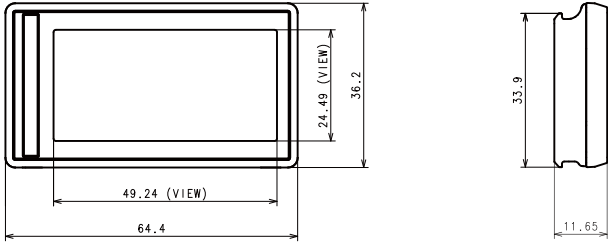
## TECHNICAL DETAILS

Parameter	Unit	Specifications
Outer Dimension	mm	42.55 x 36.25 x 11.95
Cover frame	-	White, Black and other color is available
Display Technology	-	Full graphic E-Ink Display
Active Display Area	mm	27.87 x 27.89
Display Resolution	Pixel	184 dpi – Mono / 140dpi - Color
Display Color	-	B/W, B/W/R, B/W/Y
Battery	-	CR2450 * 1EA
Battery Lifetime	Year	5 Years @ Room Temperture
Communication Protocol	-	IEEE802.15.4, 2.4GHz
Operating Temperature	-	0 ~ 40 °C - Mono / 0 ~ 30 °C - Color
Update Speed	-	10,000 Labels/Hour
Connectivities	-	NFC
Multi-page	-	Up to 7 pages



# Graphic Label 2.2” (BW, BWR, BWY)

PRODUCT ▶ ESL ▶ GRAPHIC LABEL 2.2”

EXEMPLARY PICTURE	MECHANICAL DRAWINGS
	


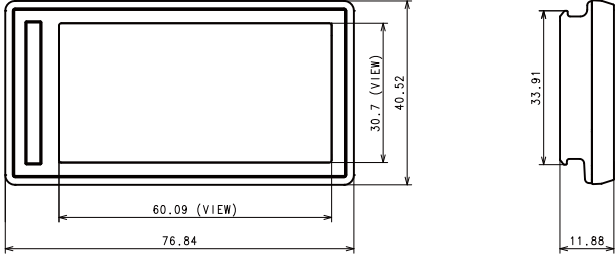
## TECHNICAL DETAILS

Parameter	Unit	Specifications
Outer Dimension	mm	64.40 x 36.20 x 11.65
Cover frame	-	White, Black and other color is available
Display Technology	-	Full graphic E-Ink Display
Active Display Area	mm	49.24 x 24.49
Display Resolution	Pixel	111 dpi
Display Color	-	B/W, B/W/R, B/W/Y
Battery	-	CR2450 * 2EA
Battery Lifetime	Year	5 Years @ Room Temperture
Communication Protocol	-	IEEE802.15.4, 2.4GHz
Operating Temperature	-	0 ~ 40 °C - Mono / 0 ~ 30 °C - Color
Update Speed	-	10,000 Labels/Hour
Connectivities	-	NFC
Multi-page	-	Up to 7 pages



# Graphic Label 2.6” (BW, BWR)

PRODUCT ▶ ESL ▶ GRAPHIC LABEL 2.6”

EXEMPLARY PICTURE	MECHANICAL DRAWINGS
	


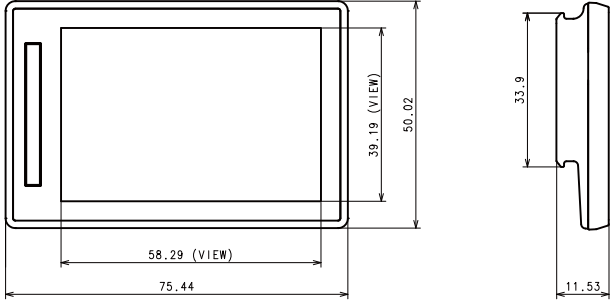
## TECHNICAL DETAILS

Parameter	Unit	Specifications
Outer Dimension	mm	76.84 x 40.52 x 11.88
Cover frame	-	White, Black and other color is available
Display Technology	-	Full graphic E-Ink Display
Active Display Area	mm	60.09 x 30.70
Display Resolution	Pixel	125 dpi
Display Color	-	B/W, B/W/R
Battery	-	CR2450 * 2EA
Battery Lifetime	Year	5 Years @ Room Temperture
Communication Protocol	-	IEEE802.15.4, 2.4GHz
Operating Temperature	-	0 ~ 40 °C - Mono / 0 ~ 30 °C - Color
Update Speed	-	10,000 Labels/Hour
Connectivities	-	NFC
Multi-page	-	Up to 7 pages



# Graphic Label 2.7” (BW, BWR)

PRODUCT ▶ ESL ▶ GRAPHIC LABEL 2.7”

EXEMPLARY PICTURE	MECHANICAL DRAWINGS
	


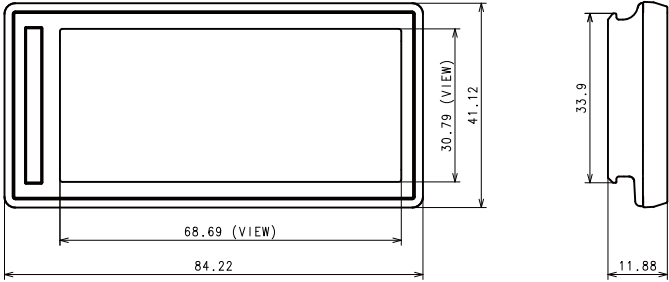
## TECHNICAL DETAILS

Parameter	Unit	Specifications
Outer Dimension	mm	75.44 x 50.02 x 11.53
Cover frame	-	White, Black and other color is available
Display Technology	-	Full graphic E-Ink Display
Active Display Area	mm	58.29 x 39.19
Display Resolution	Pixel	117 dpi
Display Color	-	B/W, B/W/R
Battery	-	CR2450 * 2EA
Battery Lifetime	Year	5 Years @ Room Temperture
Communication Protocol	-	IEEE802.15.4, 2.4GHz
Operating Temperature	-	0 ~ 40 °C - Mono / 0 ~ 30 °C - Color
Update Speed	-	10,000 Labels/Hour
Connectivities	-	NFC
Multi-page	-	Up to 7 pages



# Graphic Label 2.9” (BW, BWR, BWY)

PRODUCT ▶ ESL ▶ GRAPHIC LABEL 2.9”

EXEMPLARY PICTURE	MECHANICAL DRAWINGS
	

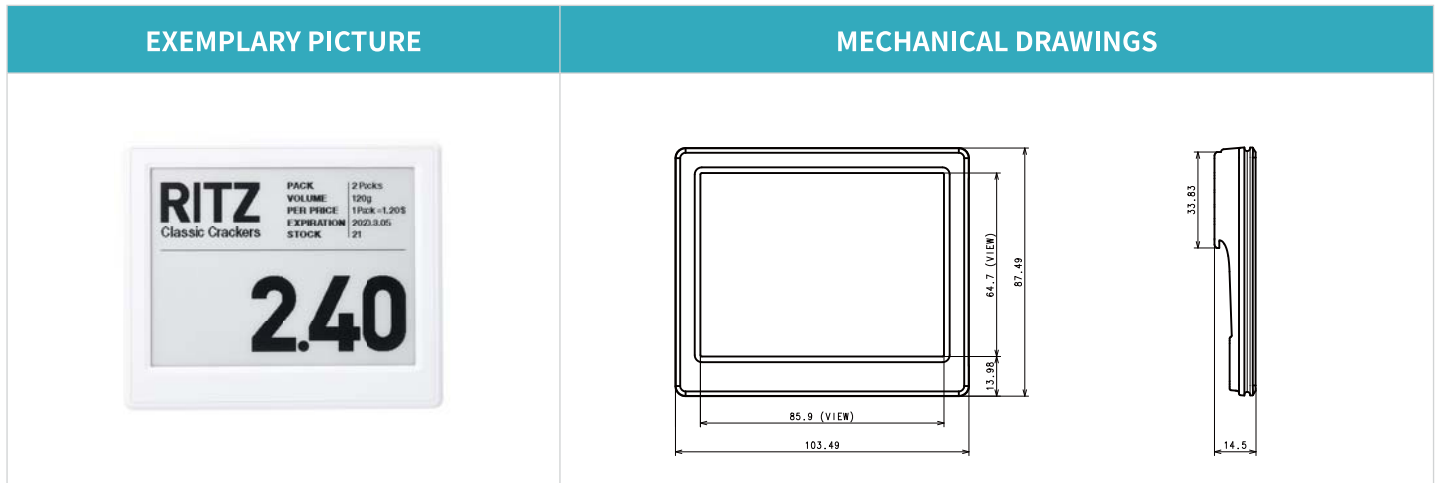
## TECHNICAL DETAILS

Parameter	Unit	Specifications
Outer Dimension	mm	84.22 x 41.12 x 11.88
Cover frame	-	White, Black and other color is available
Display Technology	-	Full graphic E-Ink Display
Active Display Area	mm	68.69 x 30.79
Display Resolution	Pixel	112 dpi
Display Color	-	B/W, B/W/R, B/W/Y
Battery	-	CR2450 * 2EA
Battery Lifetime	Year	5 Years @ Room Temperture
Communication Protocol	-	IEEE802.15.4, 2.4GHz & Sub-Giga (900MHz/862MHz)
Operating Temperature	-	0 ~ 40 °C - Mono / 0 ~ 30 °C - Color
Update Speed	-	10,000 Labels/Hour
Connectivities	-	NFC
Multi-page	-	Up to 7 pages



# Graphic Label 4.2” (BW, BWR, BWY)

PRODUCT ▶ ESL ▶ GRAPHIC LABEL 4.2”




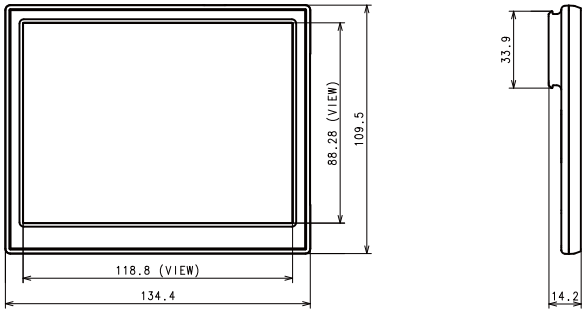
## TECHNICAL DETAILS

Parameter	Unit	Specifications
Outer Dimension	mm	103.49 x 87.49 x 14.50
Cover frame	-	White, Black and other color is available
Display Technology	-	Full graphic E-Ink Display
Active Display Area	mm	85.90 x 64.70
Display Resolution	Pixel	120 dpi
Display Color	-	B/W, B/W/R, B/W/Y
Battery	-	CR2450 * 3EA
Battery Lifetime	Year	5 Years @ Room Temperture
Communication Protocol	-	IEEE802.15.4, 2.4GHz & Sub-Giga (900MHz/862MHz)
Operating Temperature	-	0 ~ 40 °C - Mono / 0 ~ 30 °C - Color
Update Speed	-	10,000 Labels/Hour
Connectivities	-	NFC
Multi-page	-	Up to 7 pages



# Graphic Label 6.0” (BW, BWR, BWY)

PRODUCT ▶ ESL ▶ GRAPHIC LABEL 6.0”

EXEMPLARY PICTURE	MECHANICAL DRAWINGS
	

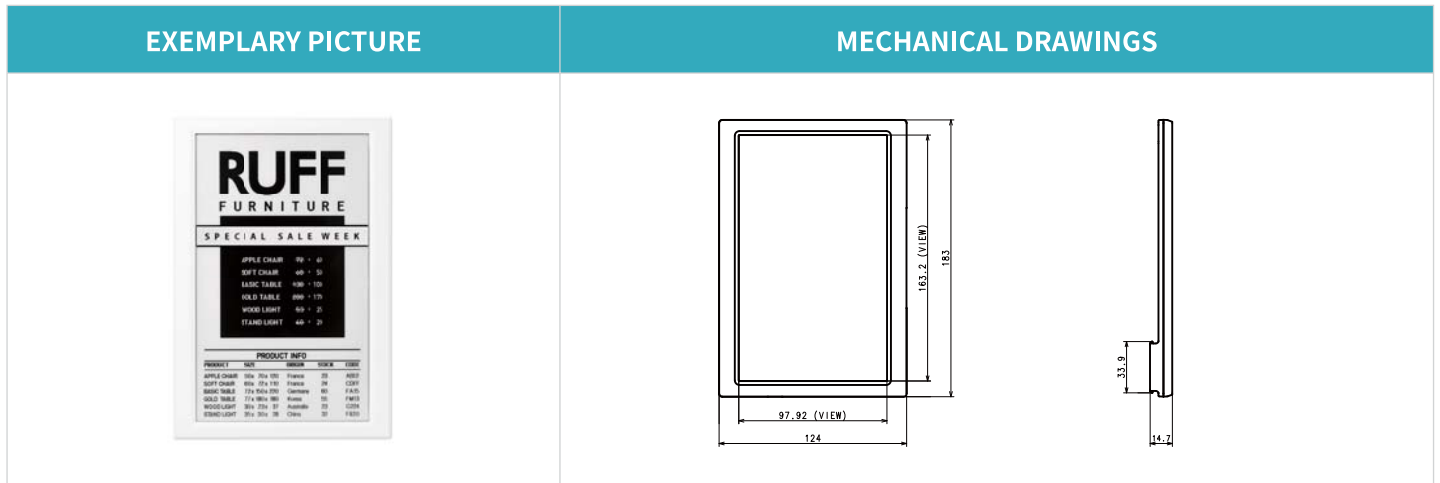
## TECHNICAL DETAILS

Parameter	Unit	Specifications
Outer Dimension	mm	134.4 x 109.5 x 14.20
Cover frame	-	White, Black and other color is available
Display Technology	-	Full graphic E-Ink Display
Active Display Area	mm	118.8 x 88.28
Display Resolution	Pixel	128 dpi
Display Color	-	B/W, B/W/R, B/W/Y
Battery	-	CR2450 * 4EA
Battery Lifetime	Year	5 Years @ Room Temperture
Communication Protocol	-	IEEE802.15.4, 2.4GHz & Sub-Giga (900MHz/862MHz)
Operating Temperature	-	0 ~ 40 °C - Mono / 0 ~ 30 °C - Color
Update Speed	-	10,000 Labels/Hour
Connectivities	-	NFC
Multi-page	-	Up to 7 pages



# Graphic Label 7.5” (BW, BWR, BWY)

PRODUCT ▶ ESL ▶ GRAPHIC LABEL 7.5”



## TECHNICAL DETAILS

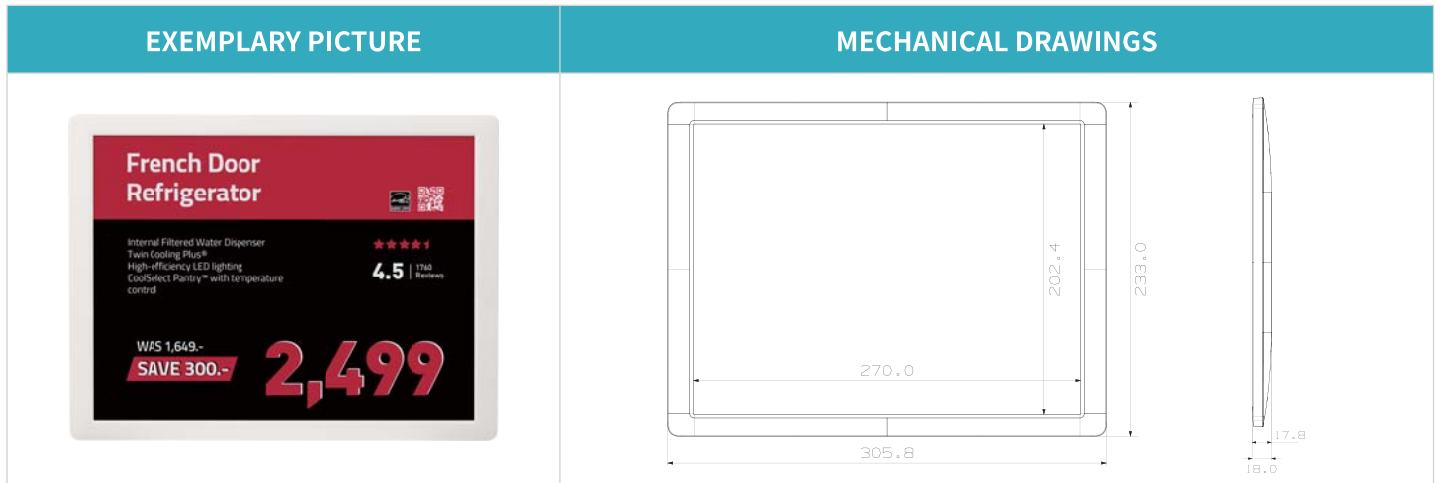
Parameter	Unit	Specifications
Outer Dimension	mm	124 x 183 x 14.7
Cover frame	-	White, Black and other color is available
Display Technology	-	Full graphic E-Ink Display
Active Display Area	mm	97.92 x 163.2
Display Resolution	Pixel	100 dpi
Display Color	-	B/W, B/W/R, B/W/Y
Battery	-	CR2450 * 4EA
Battery Lifetime	Year	5 Years @ Room Temperature
Communication Protocol	-	IEEE802.15.4, 2.4GHz
Operating Temperature	-	0 ~ 40 °C - Mono / 0 ~ 30 °C - Color
Update Speed	-	10,000 Labels/Hour
Connectivities	-	NFC
Multi-page	-	Up to 7 pages





# Graphic Label 13.3” (BWR)

PRODUCT ▶ ESL ▶ GRAPHIC LABEL 13.3”



## TECHNICAL DETAILS

Parameter	Unit	Specifications
Outer Dimension	mm	305.8 × 233 × 18.0
Cover frame	-	White, Black and other color is available
Display Technology	-	Full graphic E-Ink Display
Active Display Area	mm	270 x 202.4
Display Resolution	Pixel	150 dpi
Display Color	-	B/W/R
Battery	-	AAA * 4EA
Battery Lifetime	Year	1.2 Years @ Room Temperture
Communication Protocol	-	IEEE802.15.4, 2.4GHz
Operating Temperature	-	10 ~ 40 °C
Update speed	-	-
Connectivities	-	NFC
Multi-page	-	-

