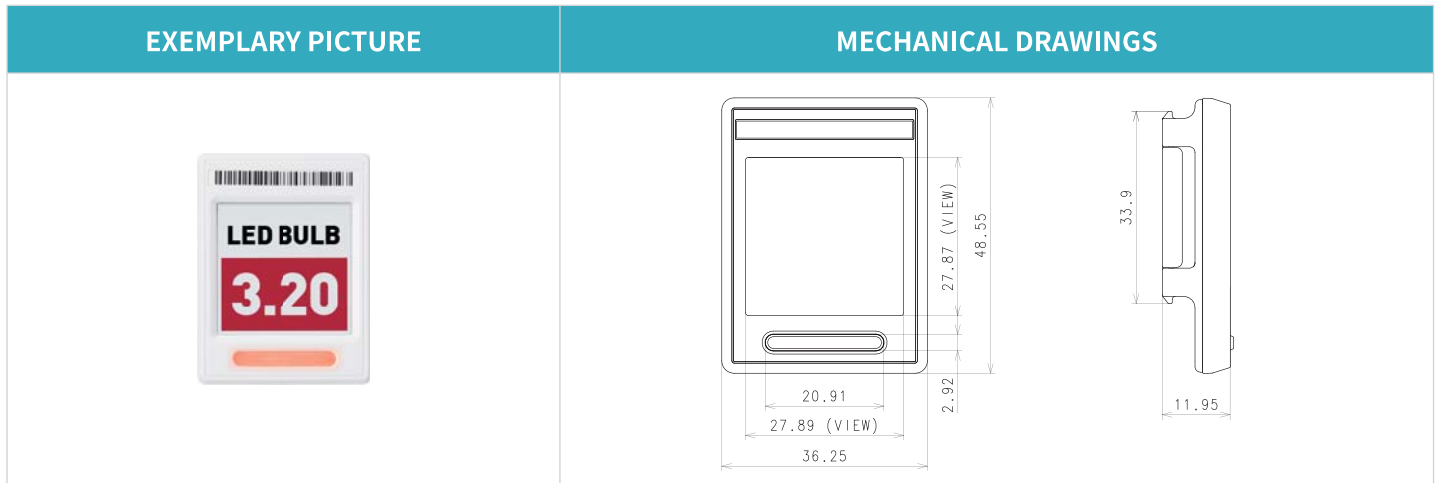


LED Blinking Label 1.6” (BW, BWR, BWY)

PRODUCT ▶ ESL ▶ LED BLINKING LABEL 1.6”




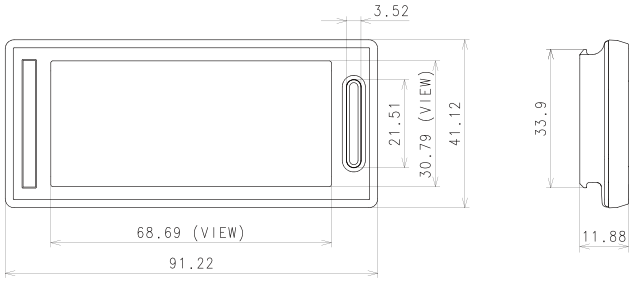
TECHNICAL DETAILS

Parameter	Unit	Specifications
Outer Dimension	mm	36.25 x 48.55
Cover frame	-	White, Black and other color is available
Display Technology	-	Full graphic E-Ink Display
Active Display Area	mm	27.51 x 27.51
Display Resolution	Pixel	140 dpi
Display Color	-	B/W, B/W/R, B/W/Y
Battery	Year	CR2450 * 1EA
Battery Lifetime	-	5 Years @ Room Temperture
Communication Protocol	-	IEEE802.15.4, 2.4GHz
Operating Temperature	-	0 ~ 40 °C
Update Speed	-	10,000 Labels/Hour
Connectivities	-	NFC
Multi-page	-	Up to 7 pages
LED Color	-	Red, Green, Amber



LED Blinking Label 2.9” (BW, BWR, BWY)

PRODUCT ▶ ESL ▶ LED BLINKING LABEL 2.9”

EXEMPLARY PICTURE	MECHANICAL DRAWINGS
	

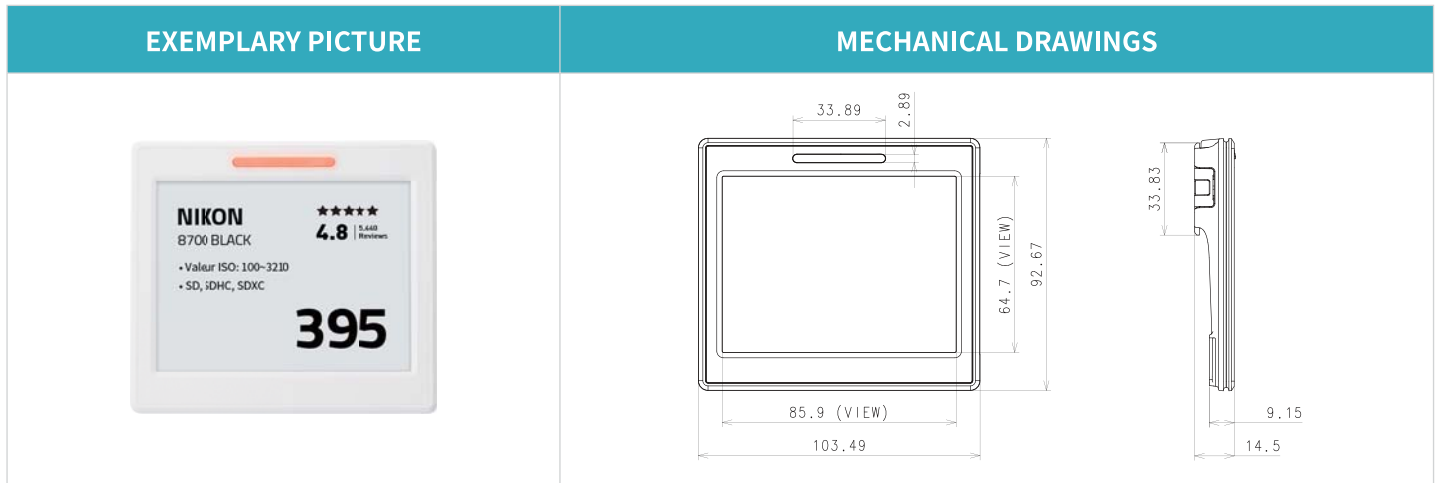
TECHNICAL DETAILS

Parameter	Unit	Specifications
Outer Dimension	mm	91.22 x 41.12
Cover frame	-	White, Black and other color is available
Display Technology	-	Full graphic E-Ink Display
Active Display Area	mm	66.90 x 29.06
Display Resolution	Pixel	112 dpi
Display Color	-	B/W, B/W/R, B/W/Y
Battery	Year	CR2450 * 2EA
Battery Lifetime	-	5 Years @ Room Temperture
Communication Protocol	-	IEEE802.15.4, 2.4GHz
Operating Temperature	-	0 ~ 40 °C
Update Speed	-	10,000 Labels/Hour
Connectivities	-	NFC
Multi-page	-	Up to 7 pages
LED Color	-	Red, Green, Amber



LED Blinking Label 4.2” (BW, BWR, BWY)

PRODUCT ▶ ESL ▶ LED BLINKING LABEL 4.2”




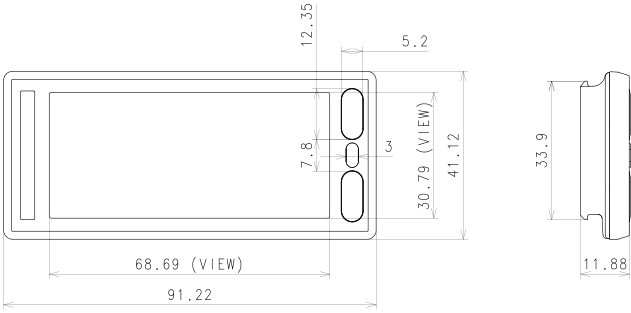
TECHNICAL DETAILS

Parameter	Unit	Specifications
Outer Dimension	mm	103.49 x 92.67
Cover frame	-	White, Black and other color is available
Display Technology	-	Full graphic E-Ink Display
Active Display Area	mm	84.80 x 63.60
Display Resolution	Pixel	120 dpi
Display Color	-	B/W, B/W/R, B/W/Y
Battery	Year	CR2450 * 3EA
Battery Lifetime	-	5 Years @ Room Temperature
Communication Protocol	-	IEEE802.15.4, 2.4GHz
Operating Temperature	-	0 ~ 40 °C
Update Speed	-	10,000 Labels/Hour
Connectivities	-	NFC
Multi-page	-	Up to 7 pages
LED Color	-	Red, Green, Amber



LED Button Label 2.9” (BW, BWR, BWY)

PRODUCT ▶ ESL ▶ LED BUTTON LABEL 2.9”

EXEMPLARY PICTURE	MECHANICAL DRAWINGS
	

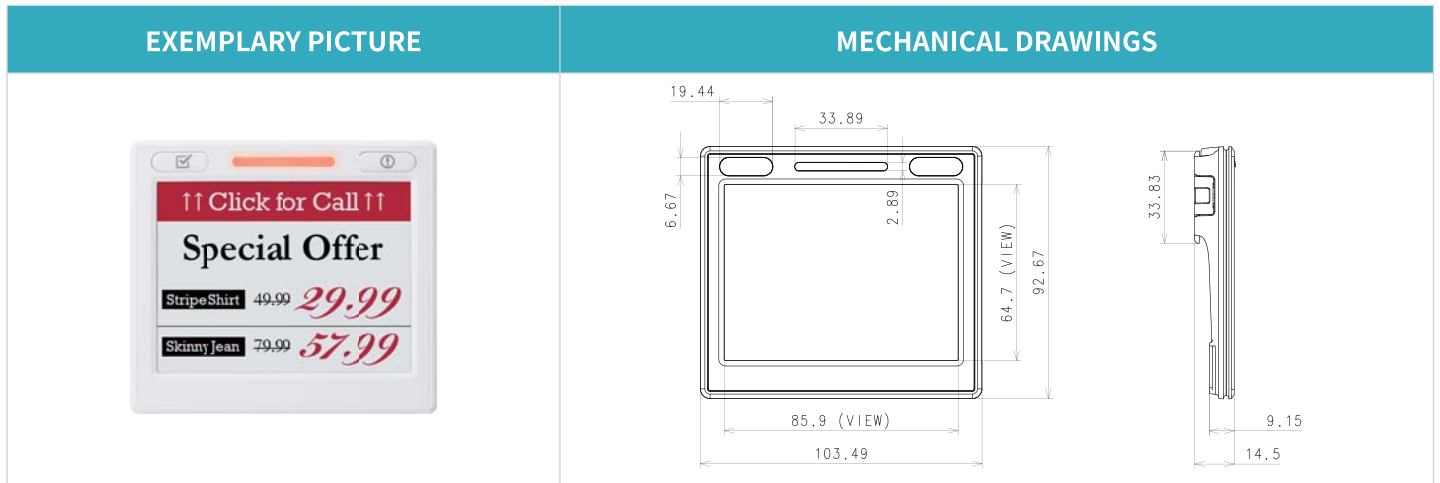
TECHNICAL DETAILS

Parameter	Unit	Specifications
Outer Dimension	mm	91.22 x 41.12
Cover frame	-	White, Black and other color is available
Display Technology	-	Full graphic E-Ink Display
Active Display Area	mm	66.90 x 29.06
Display Resolution	Pixel	112 dpi
Display Color	-	B/W, B/W/R, B/W/Y
Battery	Year	CR2450 * 2EA
Battery Lifetime	-	5 Years @ Room Temperture
Communication Protocol	-	IEEE802.15.4, 2.4GHz
Operating Temperature	-	0 ~ 40 °C
Update Speed	-	10,000 Labels/Hour
Connectivities	-	NFC
Multi-page	-	Up to 7 pages
LED Color	-	Red, Green, Amber
Button Customization	-	Yes



LED Button Label 4.2” (BW, BWR, BWY)

PRODUCT ▶ ESL ▶ LED BUTTON LABEL 4.2”



TECHNICAL DETAILS

Parameter	Unit	Specifications
Outer Dimension	mm	103.49 x 92.67
Cover frame	-	White, Black and other color is available
Display Technology	-	Full graphic E-Ink Display
Active Display Area	mm	84.80 x 63.60
Display Resolution	Pixel	120 dpi
Display Color	-	B/W, B/W/R, B/W/Y
Battery	Year	CR2450 * 3EA
Battery Lifetime	-	5 Years @ Room Temperture
Communication Protocol	-	IEEE802.15.4, 2.4GHz
Operating Temperature	-	0 ~ 40 °C
Update Speed	-	10,000 Labels/Hour
Connectivities	-	NFC
Multi-page	-	Up to 7 pages
LED Color	-	Red, Green, Amber
Button Customization	-	Yes

SOLUM

© 9/2017, all specified values are subject to change by SoluM